


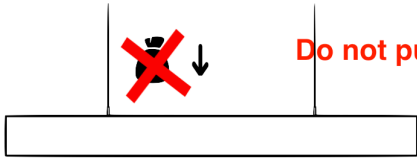
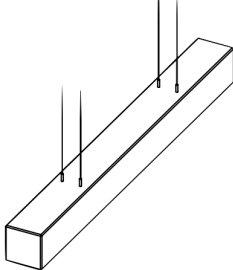
Data sheet SCALE

Technical information	
Power	100 W
LED flux *	7000 lm
Power supply	90-250 V AC
Protection class	IP 40
Light class	
Certification	CE/ ETL and UL pending

Temperature	
Max. temperature at Tc point LED ambient temperature	75°C -20°C+40°C

Life time	
Life time	50.000 h at 25°C ambient temp.
Number of switching cycles	500.000
Rated life time	50.000 h

Dimension	
LXWXH	2000X200X200 mm
Weight	30 kg

Other information
 <p style="color: red; font-weight: bold;">Do not put any weight on the top of the product SCALE</p> 

* Light source can not be replaced