


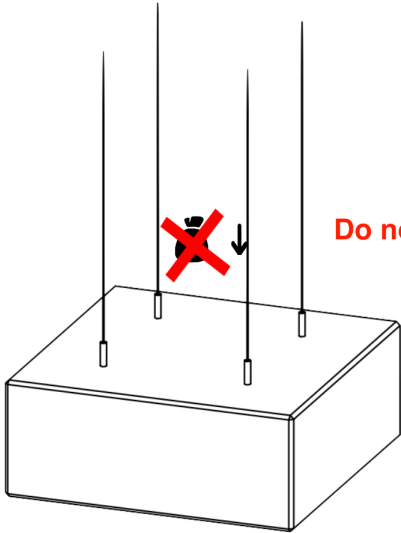
Data sheet RAY

Technical information	
Power	40W
LED flux *	2600 lm
Power supply	90-250 V AC
Protection class	IP 40
Light class	
Certification	CE/ ETL and UL pending

Temperature	
Max. temperature at Tc point LED	75°C
ambient temperature	-20°C+40°C

Life time	
Life time	50.000 h at 25°C ambient temp.
Number of switching cycles	500.000
Rated life time	50.000 h

Dimension	
LXWXH	510X510X205 mm
Weight	15 kg

Other information
 <p>Do not put any weight on the top of the product RAY</p>

* Light source can not be replaced